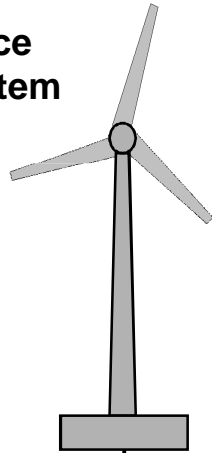
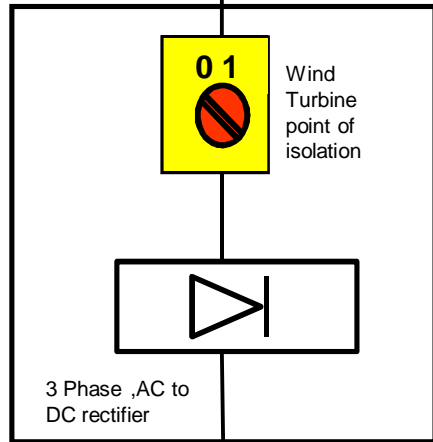


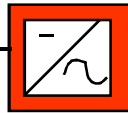
5 kW Evance Turbine System



Turbine Controller



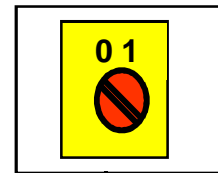
2500W Inverter



2500W Inverter



Point of AC Isolation, lockable In off position



kWh Meter

Approved Meter

Customer Distribution Board

