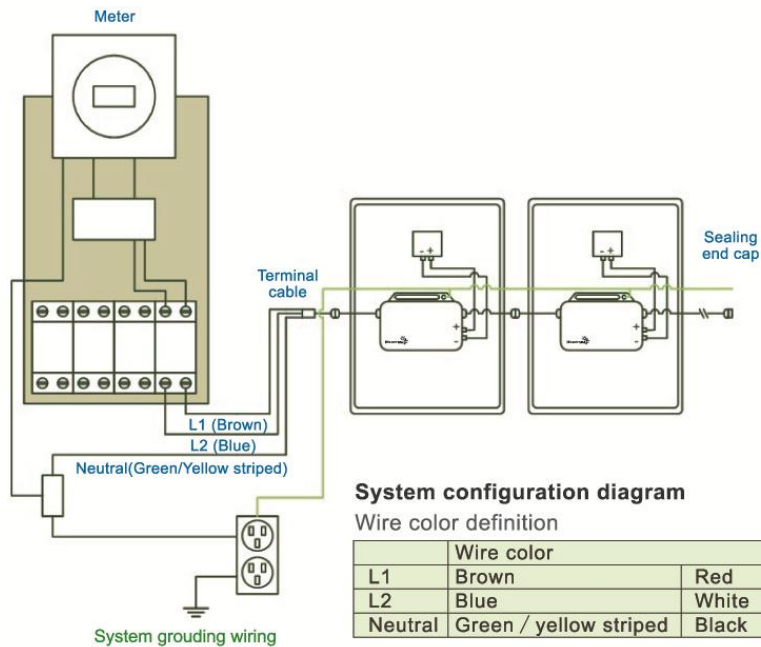


Step 5 Connection to AC panel and breaker box

- Use terminal cable for connecting to AC distribution panel.
- Connect L1/L2 to breaker box.
- Connect neutral with the neutral of breaker box.
- Connect system grounding wire to the ground.



i-Energy Corporation Ltd.

7F-4, No.128, Sec. 3, Minsheng E. Rd., Taipei City 105, Taiwan (R.O.C.)
 T: +886-2-2545-8097 F: +886-2-2546-6523 i-energy.com.tw



i-Energy i-Micro inverter GT260

Quick Installation Guide

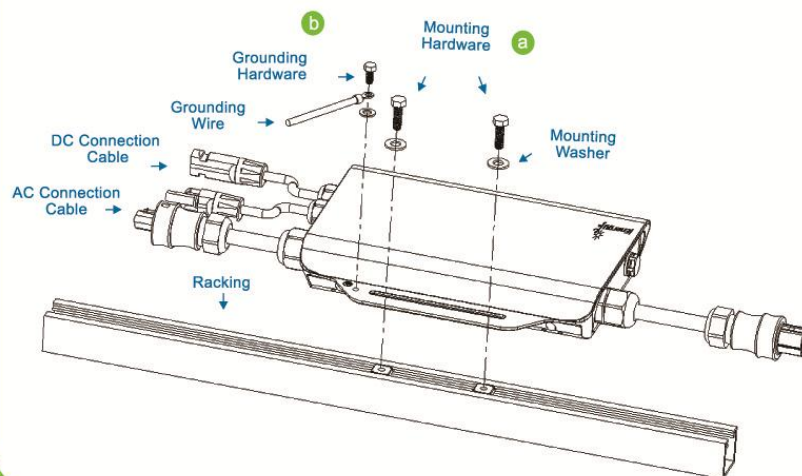
This quick installation guide contains important instructions on safety and installation of the i-Energy i-Micro inverter GT260. Please carefully read this guide and follow all instructions to ensure safe installation and operation.

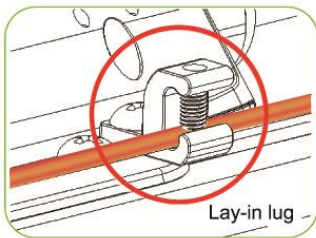
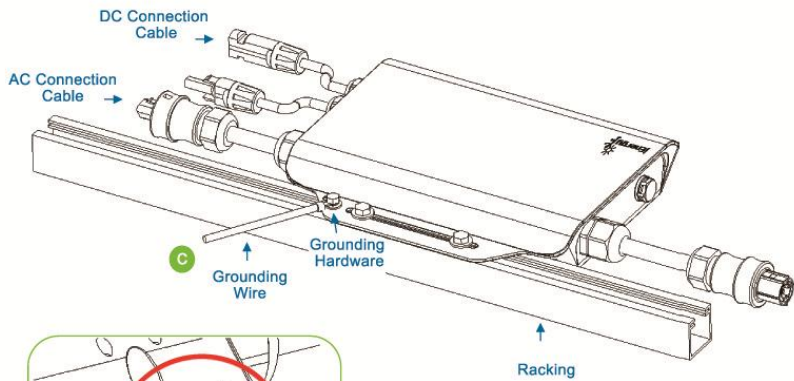
Read all warnings, instructions and maintenance in the GT260 Installation and Operation Manual at: www.i-energy.com.tw.

Step 1 Attach i-Energy i-Micro inverters to racking

Take i-Micro inverter out of the box, mount i-Micro inverter onto racking.

- Install mounting hardware.
- Install grounding hardware and attach grounding wire.
- Torque ground clamp screw to 20 inch-pounds.

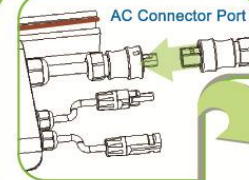
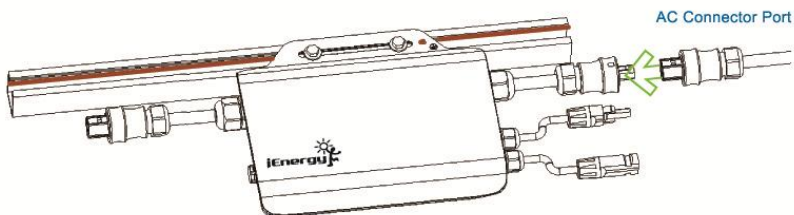




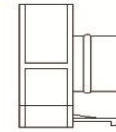
You can also use lay-in lug for grounding wire fixture.

Step 2 AC Connection

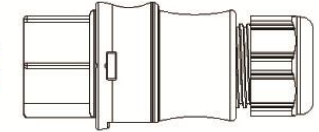
- Connect adjacent i-Micro inverters to each other through AC interconnection cables.
- Listen for click as connectors engage.
- Make sure unused i-Micro inverter AC connector is covered with a sealing end cap. Do not exceed maximum number of i-Micro inverters connection allowed per branch.



Note: Must cover last opened AC connector with end cap.



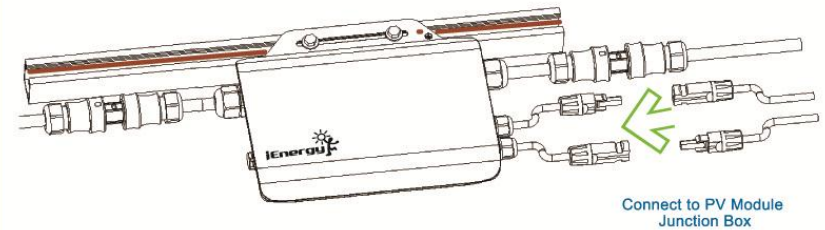
End Cap



Terminal AC Connector

Step 3 DC Connection

- After installation of PV modules, completely cover PV modules to prevent PV modules from producing power.
- Connect the DC output connectors from PV modules to the DC input connectors from i-Micro inverters.



Step 4 Final installation verifications

- Verify and confirm connection's correct electrical polarities.
- Verify secured mechanical connections.
- Verify secured bolt-connection and recommended torque settings to racking system.
- Verify sealed end cap is properly installed at unconnected terminal AC cable run.