

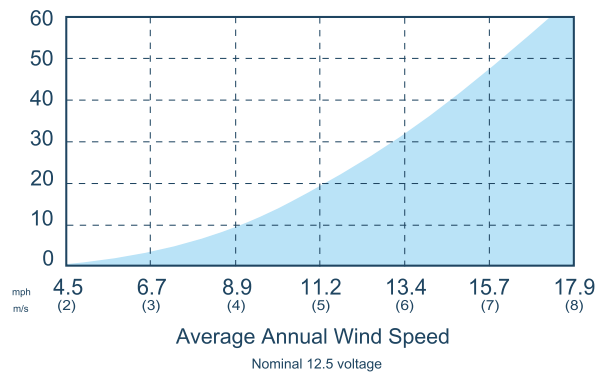
Nemo400



Marine Grade

- Advanced microprocessor for reliable energy production
- Integrated overcharge protection
- Permanent mold cast aluminum body
- High-quality, field tested components
- Quiet Operation
- Low noise, Lightweight; easy to install

MONTHLY ENERGY (KWH)



Model: Nemo400

Rotor Diameter: 49.6 inches (1.26m)

Weight: 12.3 lbs (5.7kg)

(Shipping: 26.5"x13.8"x8.3" (672x350x210mm) / 15.4 lbs (7.0kg))

Mount: 1.5" schedule 40 pipe (1.9" OD, 48 mm)

Magnetic Material: NdFeB (Neodymium Iron Boron)

Shaft Bearing: High Standard Sealed Bearing

Shaft: Stainless Steel

Fasteners (nuts and bolts): Stainless Steel

Start-up wind speed: 7 mph (3.0 m/s)

Voltage: 12 and 24 VDC

Rated Power: 400 watts at 28mph (12.5m/s)

Controller: Microprocessor-based smart external regulator with Peak Power Tracking

Blades: Carbon Fiber Composite

Body: Cast aluminum (Marine is powder coated for corrosion protection)

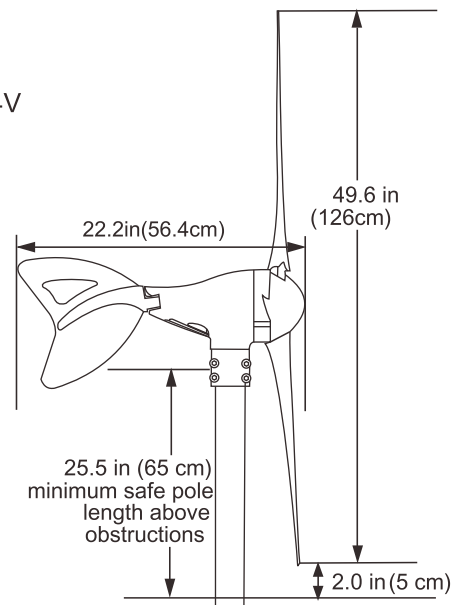
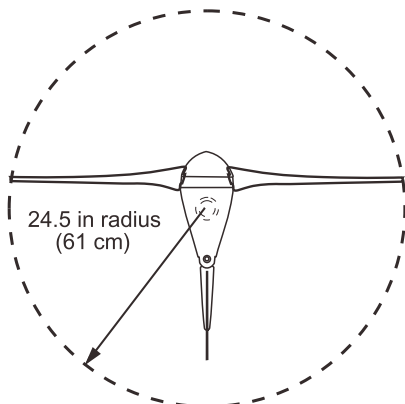
Energy Production: 38 kWh/mo @ 12mph (5.4m/s)

Warranty: 3 Year Limited Warranty

Survival Wind speed: 110 mph (49.2 m/s)

Over-speed Protection: Electronic torque control

Battery Bank Minimum: 100 amp hours @ 12V, 50 amp hours @ 24V





Smart external regulator with Peak Power Tracking Controller

Four advantages:

1. Automatic Circuit Break protection.
2. High wind protection.
3. Output power LED.
4. over charge protection.



Output power LED

Start Switch