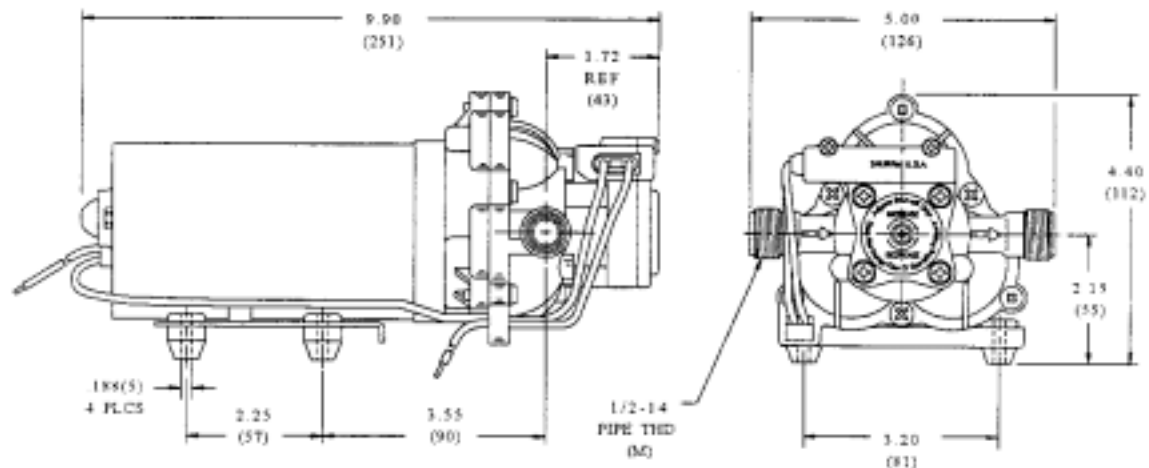


MODEL: 2088-414-134

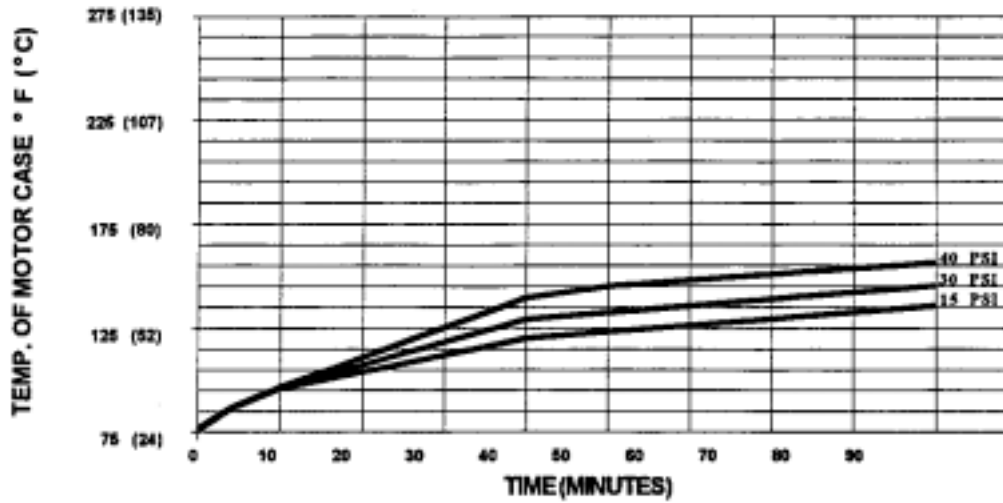
### SPECIFICATIONS:

**MODEL NUMBER:** 2088-414-134  
**PUMP DESIGN:** Positive Displacement 3 Chamber Diaphragm Pump  
**CHECK VALVE:** (1-Way Operation) Prevents Reverse Flow  
**CAM:** 3.0 Degree  
**MOTOR:** Permanent Magnet, P/N 11-185-06, Thermally Protected  
**VOLTAGE:** 12 VDC Nominal  
**PRESSURE SWITCH:** Splash-Proof, Adjustable from 30 to 50 PSI  
Factory Set @ 45 PSI Shut-Off, Turn On 25 PSI  $\pm$  5 PSI  
**LIQUID TEMPERATURE:** 130 Degrees Fahrenheit (54 Degrees Centigrade) Max.  
**PRIME:** Self-Priming Up To 9.0 Ft. Vertical,  
Max. Inlet Pressure 30 PSI (2.1 Bar)  
**PORTS:** 1/2"-14 Male Parallel Thread  
**MATERIAL OF CONSTRUCTION:**  
PLASTICS- Polypropylene  
VALVES- Santoprene  
DIAPHRAGM- Santoprene  
FASTENERS- Stainless Steel  
**NET WEIGHT:** 6.0 Lbs (2.7 Kg)  
**DUTY CYCLE:** Continuous (See Temperature Rise Chart)  
**TYPICAL APPLICATIONS:** Washdown/Bait Tank Pump/Shallow Well  
**APPROVALS:** U.L. Marine Listed

### DIMENSIONS:

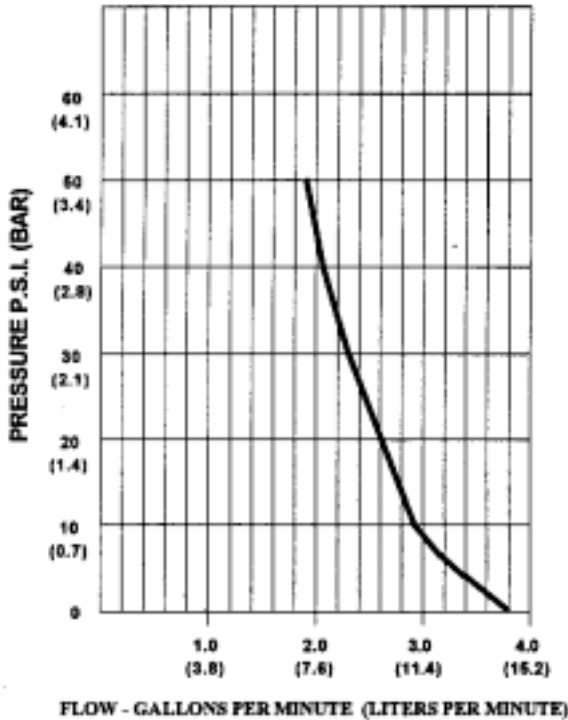


**TEMPERATURE RISE**



THIS GRAPH IS FOR USE AS A DESIGN GUIDE. IT IS BASED ON RUNNING CONTINUOUSLY WITH AN AMBIENT TEMPERATURE OF 75 °F IN STILL AIR. THE THERMAL BREAKER WILL OPEN WHEN THE CASE TEMPERATURE REACHES 280°F.

**TYPICAL PERFORMANCE**



PRESSURE (PSI)	FLOW (GPM/LIT)	RPM MIN/MAX	CURRENT (AMPS)	VOLTAGE (VOLTS)
OPEN	3.89/14.4	2330/2465	4.5	12 VDC
10	2.90/11.1	2320/2460	5.6	"
20	2.60/9.8	2275/2485	7.1	"
30	2.36/8.7	2250/2365	8.4	"
40	2.07/7.8	2220/2335	9.9	"
50	1.90/7.2	2205/2315	9.5	"

*-SPECIFICATIONS SUBJECT TO CHANGE WITHOUT NOTICE.  
-ALL DATA BASED ON TESTING WITH WATER.*

12650 WESTMINSTER AVE. SANTA ANA, CA 92706 (714) 554-7700/(800) 854-3218/FAX 714-554-4721

SHUR® EAST, 52746 PARK SIX COURT, ELKHART, IN 46514 (219) 262-6478/(800) 762-8094/FAX 219-262-6478

SHUR® EUROPEAN DIVISION, LIBERTY HOUSE 105 BELL ST., REIGATE, SURREY, UNITED KINGDOM 44-737-242296/FAX 44-737-242283